

# GAIT TRAINER™ 3 (v3.X software)

---

## PARTS AND ASSEMBLY ILLUSTRATIONS

950-400

950-401

950-402

950-403

950-404

950-405

950-406

950-407

950-408

950-413

950-414



# BIODEX

Biodes Medical Systems, Inc.

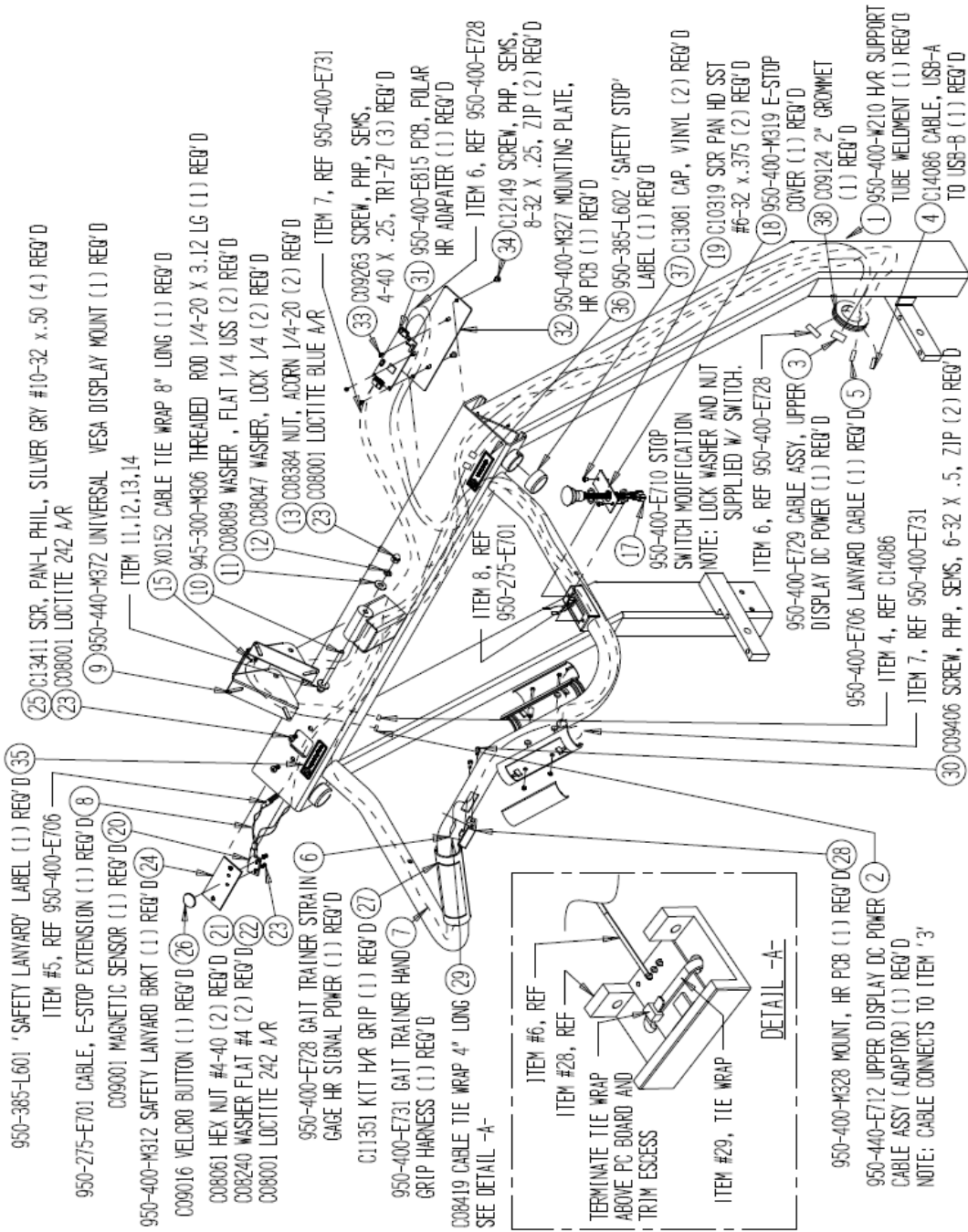
20 Ramsey Road, Shirley, New York, 11967-4704, Tel: 800-224-6339 (Int'l 631-924-9000), Fax: 631-924-9241, Email: info@biodes.com, www.biodes.com

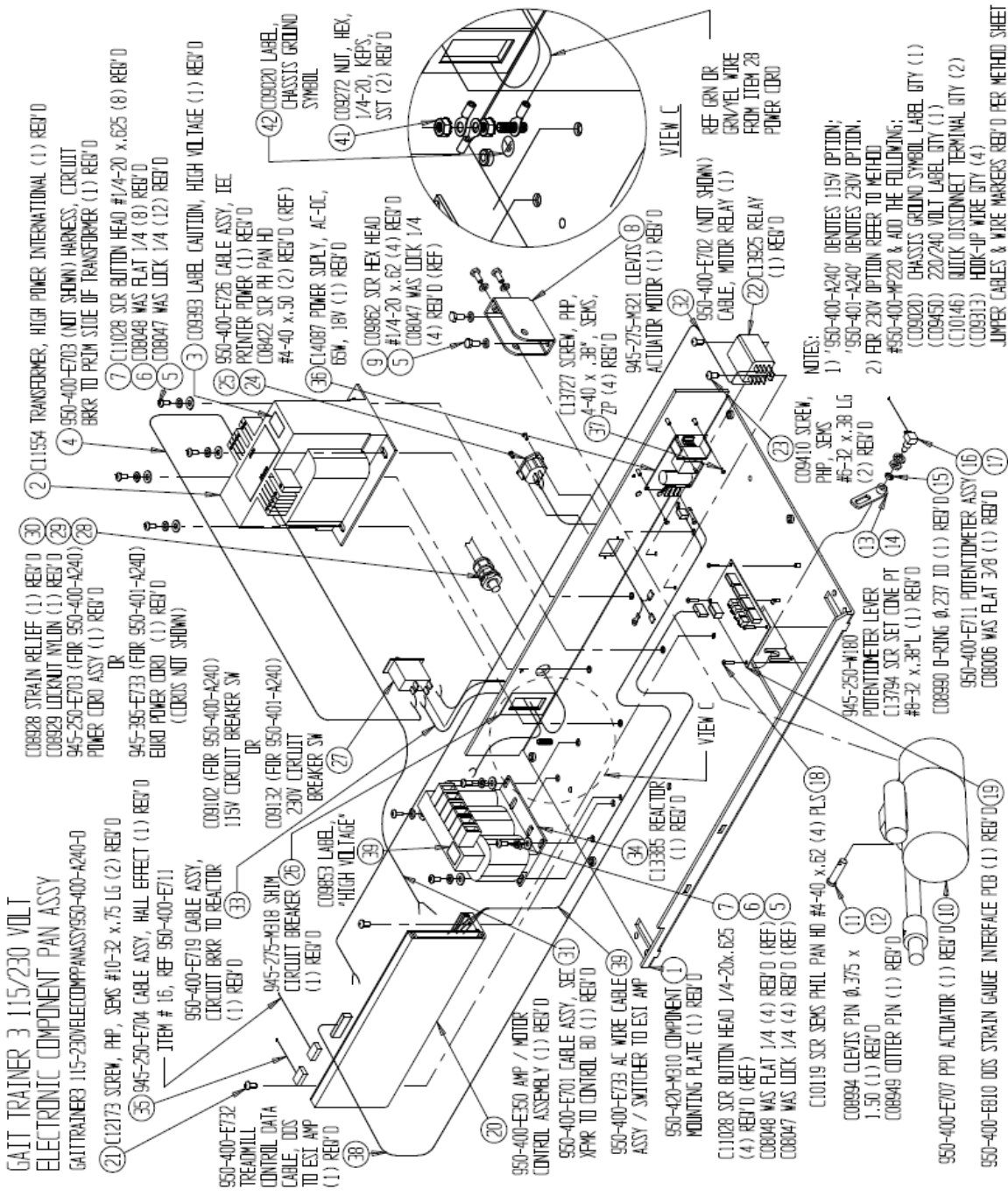




# UPPER FRAME ASSEMBLY, RTM/GAIT TRAINER

UPPERFRAMESSYRTMGAITTRAINER950-400-AZ21-B





GAIT TRAINER 3 115/230 VOLT  
ELECTRONIC COMPONENT PAN ASSY  
GAITTRAINER3 115-230VLECOMPANASSY950-400-4240-0

2) C1154 TRANSFORMER, HIGH POWER INTERNATIONAL (1) REV'D  
4) 950-400-E703 (NOT SHOWN) HARNESS, CIRCUIT BRKR TO PRIM SIDE OF TRANSFORMER (1) REV'D  
30) COB828 STRAIN RELIEF (1) REV'D  
29) COB829 LOCKOUT NYLON (1) REV'D  
28) 945-250-E703 (FOR 950-400-4240) POWER CORD ASSY (1) REV'D  
OR  
945-395-E733 (FOR 950-400-4240) EURO POWER CORD (1) REV'D  
(CORDS NOT SHOWN)  
35) 945-250-E704 CABLE ASSY, HALL EFFECT (1) REV'D  
ITEM # 16, REF 950-400-E711  
950-400-E732 TREADMILL CONTROL DATA CABLE, DIS TO EST AMP (1) REV'D  
950-400-E733 AC WIRE CABLE (1) REV'D  
950-400-E730 AMP / MOTOR CONTROL ASSEMBLY (1) REV'D  
950-400-E701 CABLE ASSY, SEC XPR TO CONTROL BD (1) REV'D  
950-400-E733 AC WIRE CABLE (1) REV'D  
ASSY / SWITCHER TO EST AMP  
50-420-4310 COMPONENT MOUNTING PLATE (1) REV'D  
C11028 STR BUTTON HEAD 1/4-20x.625 (4) REV'D (REF)  
COB848 WAS FLAT 1/4 (4) REV'D (REF)  
COB847 WAS LOCK 1/4 (4) REV'D (REF)

3) COB933 LABEL CAUTION, HIGH VOLTAGE (1) REV'D  
25) 950-400-E726 CABLE ASSY, IEC PRINTER POWER (1) REV'D  
24) COB422 SCR PH PAN HD #4-40 x .30 (2) REV'D (REF)  
36) C14087 POWER SUPPLY, AC-DC, 65W, 18V (1) REV'D  
9) COB962 SCR HEX HEAD #1/4-20 x .62 (4) REV'D  
5) COB847 WAS LOCK 1/4 (4) REV'D (REF)  
4) COB272 NUT, HEX, CHASSIS GROUND SYMBOL (2) REV'D  
42) COB920 LABEL, CHASSIS GROUND SYMBOL  
41) COB272 NUT, HEX, 1/4-20, KEPS, SST (2) REV'D

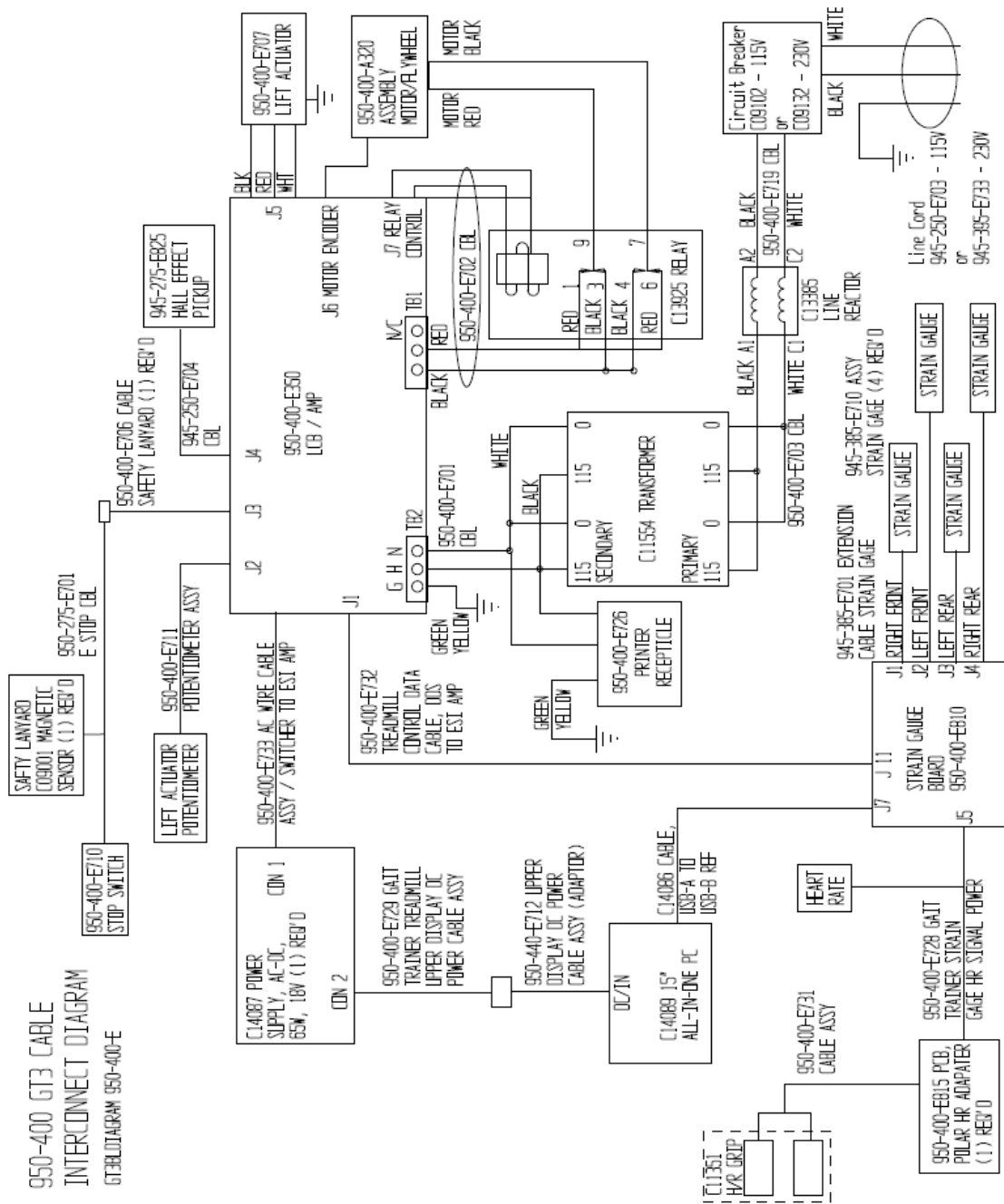
13727 SCREW, PHP, #4-40 x .38\"/>

945-275-M321 CLEVIS (8)  
ACTUATOR MOTOR (1) REV'D  
50-400-E702 (NOT SHOWN) CABLE, MOTOR RELAY (1) REV'D  
22) C13925 RELAY (1) REV'D  
COB9410 SCREW, PHP, SENS #6-32 x .38 LG (2) REV'D  
945-250-H180 POTENTIOMETER LEVER #6-32 x .38\"/>

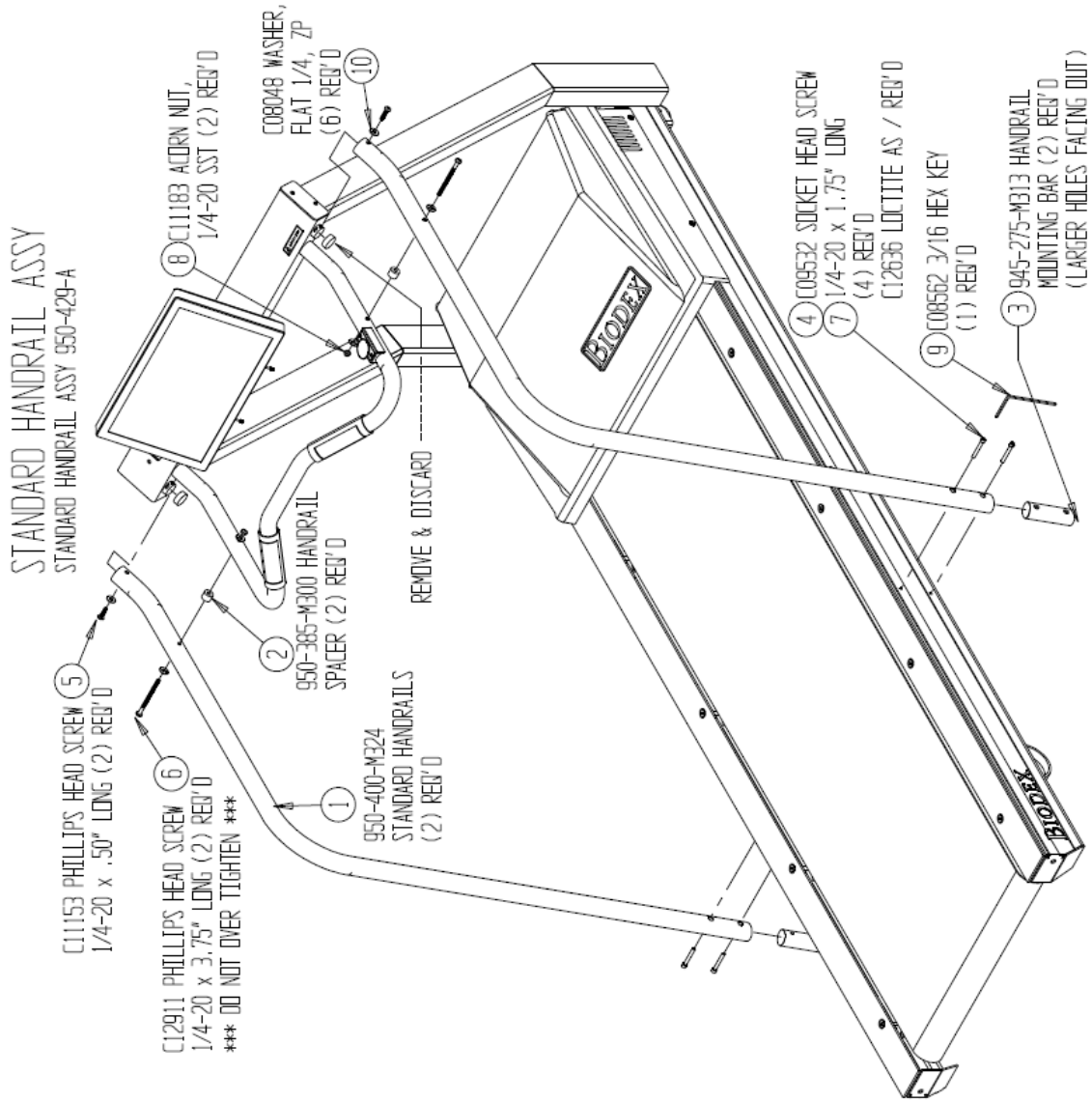
COB950 220/240 VOLT LABEL (1)  
COB9450 220/240 VOLT LABEL (1)  
COB9460 220/240 VOLT LABEL (1)  
COB9313 BULK DISCONNECT (1)  
HOOK-UP WIRE (4)  
UPPER CABLES & WIRE MARKERS PER METHOD SHEET

NOTES:  
1) 950-400-4240 DENOTES 115V OPTION;  
950-400-4240 DENOTES 230V OPTION.  
2) PER 230V OPTION REFER TO METHOD:  
950-400-M220 & ADD THE FOLLOWING:  
(COB9020) CHASSIS GROUND SYMBOL LABEL QTY (1)  
(COB9450) 220/240 VOLT LABEL QTY (1)  
(COB9460) 220/240 VOLT LABEL QTY (2)  
(COB9313) BULK DISCONNECT QTY (4)  
HOOK-UP WIRE QTY (4)

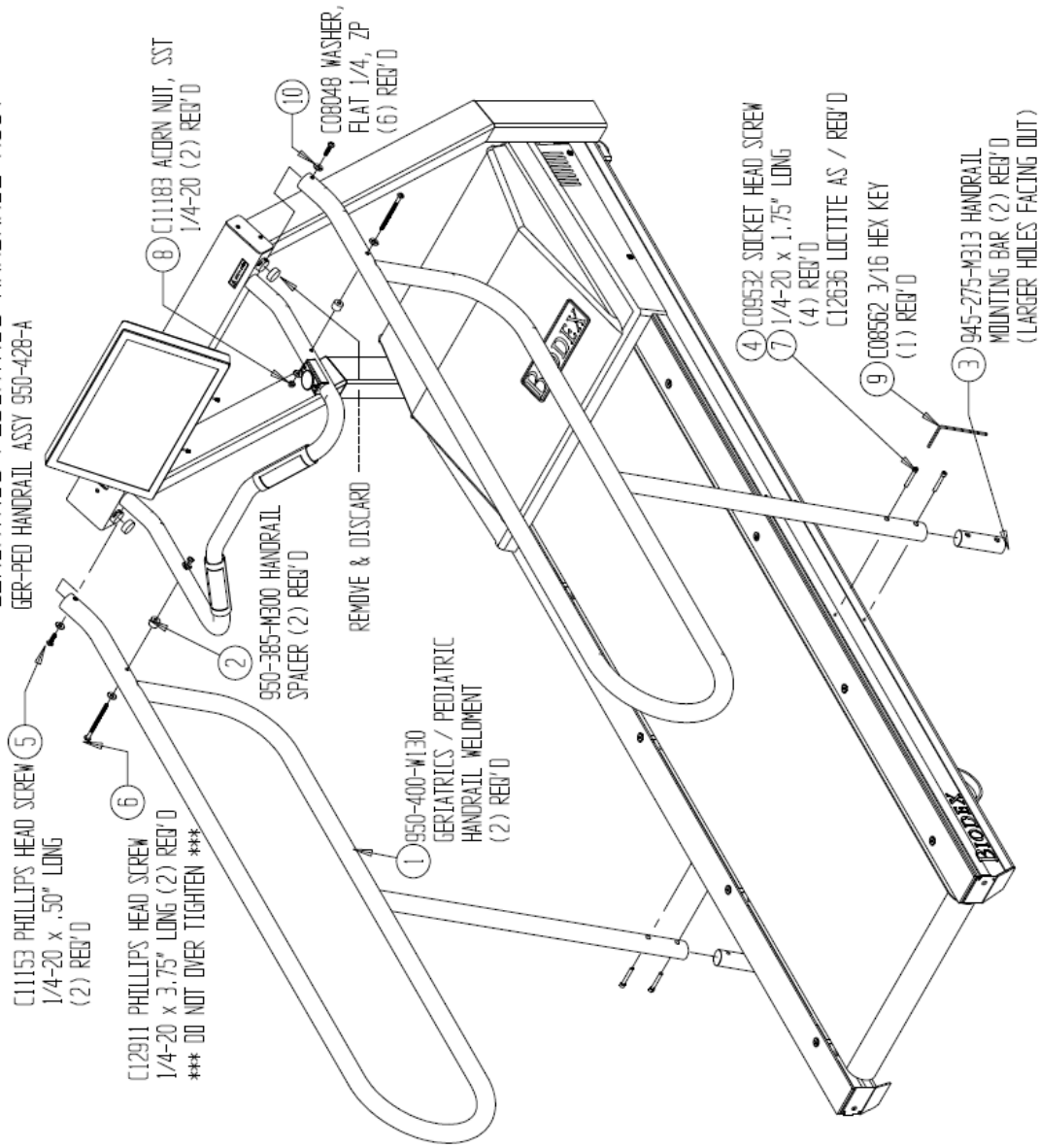
950-400 GT3 CABLE  
 INTERCONNECT DIAGRAM  
 GT3BLDIAGRAM 950-400-E



# Optional Parts



GERIATRIC/PEDIATRIC HANDRAIL ASSY  
GER-PED HANDRAIL ASSY 950-428-A



**BIODEX**  
Biodex Medical Systems, Inc.

20 Ramsey Road, Shirley, New York, 11967-4704, Tel: 800-224-6339 (Int'l 631-924-9000), Fax: 631-924-9241, Email: info@biodex.com, www.biodex.com

