

HANDRAIL INSTALLATION PROCEDURE FOR GAIT TRAINER 3

INSTALLATION AND ASSEMBLY

950-428

950-429



BIODEX
Biodex Medical Systems, Inc.

20 Ramsey Road, Shirley, New York, 11967-4704, Tel: 800-224-6339 (Int'l 631-924-9000), Fax: 631-924-9241, Email: info@biodex.com, www.biodex.com

Handrail Installation Procedure

This installation procedure covers safe assembly of the extended handrails – 950-428 and 950-429.

Additional information and resources are available upon request or directly from the Biodex website, www.biodex.com.

If the desired information is not found, please feel free to contact a local distributor or Biodex directly at supportservices@biodex.com.

Thank you,
Biodex Medical Systems, Inc.

Contact information



Manufactured by:

Biodex Medical Systems, Inc.
20 Ramsey Road, Shirley, New York, 11967-4704
Tel: 800-224-6339 (Int'l 631-924-9000)
Fax: 631-924-8355
email: supportservices@biodex.com
www.biodex.com

1. Assembly Instructions

Handrail Installation

The Gait Trainer³ comes with a sturdy support bar installed. If desired, customers can install optional Extended Handrails or Geriatric/Pediatric Handrails. Both optional handrail sets are installed as follows:

Required Tools and Supplies:

- Phillips Screwdriver
- 3/16 Hex Key (Provided)
- Pliers
- (2) Phillips Head Screws #1/4-20 × 3/4" long
- (2) Phillips Head Screws #1/4-20 × 3.75" long
- (2) Handrail Spacers
- (2) Standard Handrails
- (2) Acorn Nut #1/4-20
- (4) Socket Head Screw #1/4-20 × 1.75" long
- (2) Handrail Mounting Bar
- Loctite

Installation Procedure

1. Remove the protective caps from both mounting hubs, discard.
2. Insert a handrail mounting bar into the bottom of the handrail tube. The larger holes in the mounting bar should face out
3. Slide a 1.75" screw through the tube wall of the handrail and mounting bar.
4. Slide the end of the handrail onto the mounting hub. Thread a 0.75" screw through the side hole of the handrail and into the mounting boss. Do not tighten.
5. Slide a 3.75" screw through the handrail, handrail spacer, and tube. Thread on an acorn nut.
6. Place a few drops of Loctite (provided) on the threads of the screws at the bottom of the handrail.
7. Line up the bottom of the handrail with the bottom of the treadmill deck. Align the screws with the threaded holes in the side of the treadmill deck and thread them into place. Fully tighten with the provided hex key.
8. Repeat steps 1-7 for the opposite handrail.
9. Fully tighten the screws into the mounting boss for each handrail.
10. Tighten the screws and acorn nuts.

NOTE: Do not overtighten as excessive force may crush the tubes.



Figure 1.1. Gait Trainer 3 comes with a Factory Installed Support Bar.



Figure 1.2. Optional Extended Handrails Installed.



Figure 1.3. Optional Geriatric/Pediatric Handrails.

Maintenance

As required, wipe all surfaces except the monitor with a clean cloth and a solution of warm water with a mild detergent.

Wipe the monitor with a soft cloth dampened with alcohol.

Disposal

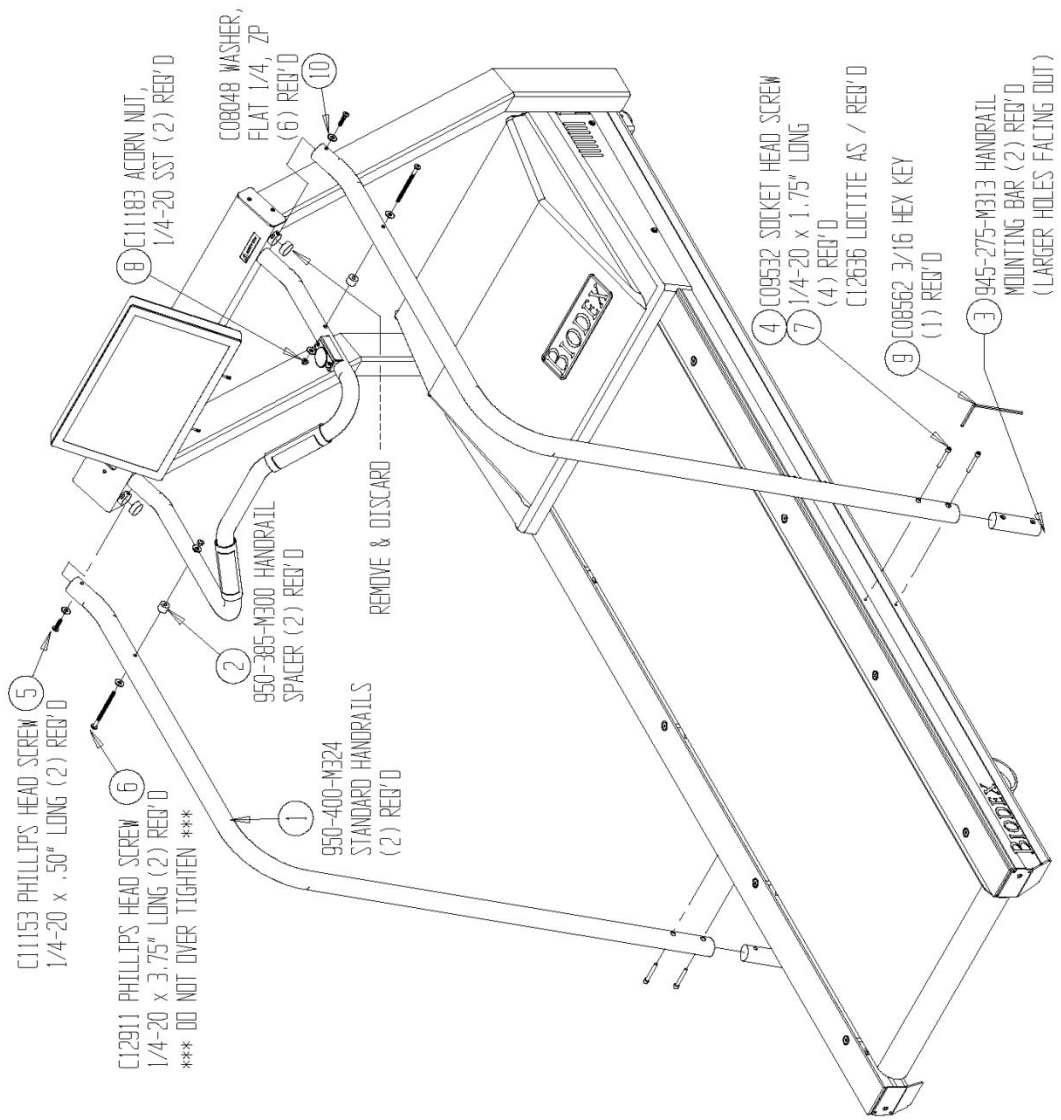
An appropriate waste disposal company is to be contacted (i.e., the local collection point for waste separation). Properly dispose of the device at the end of its service life:

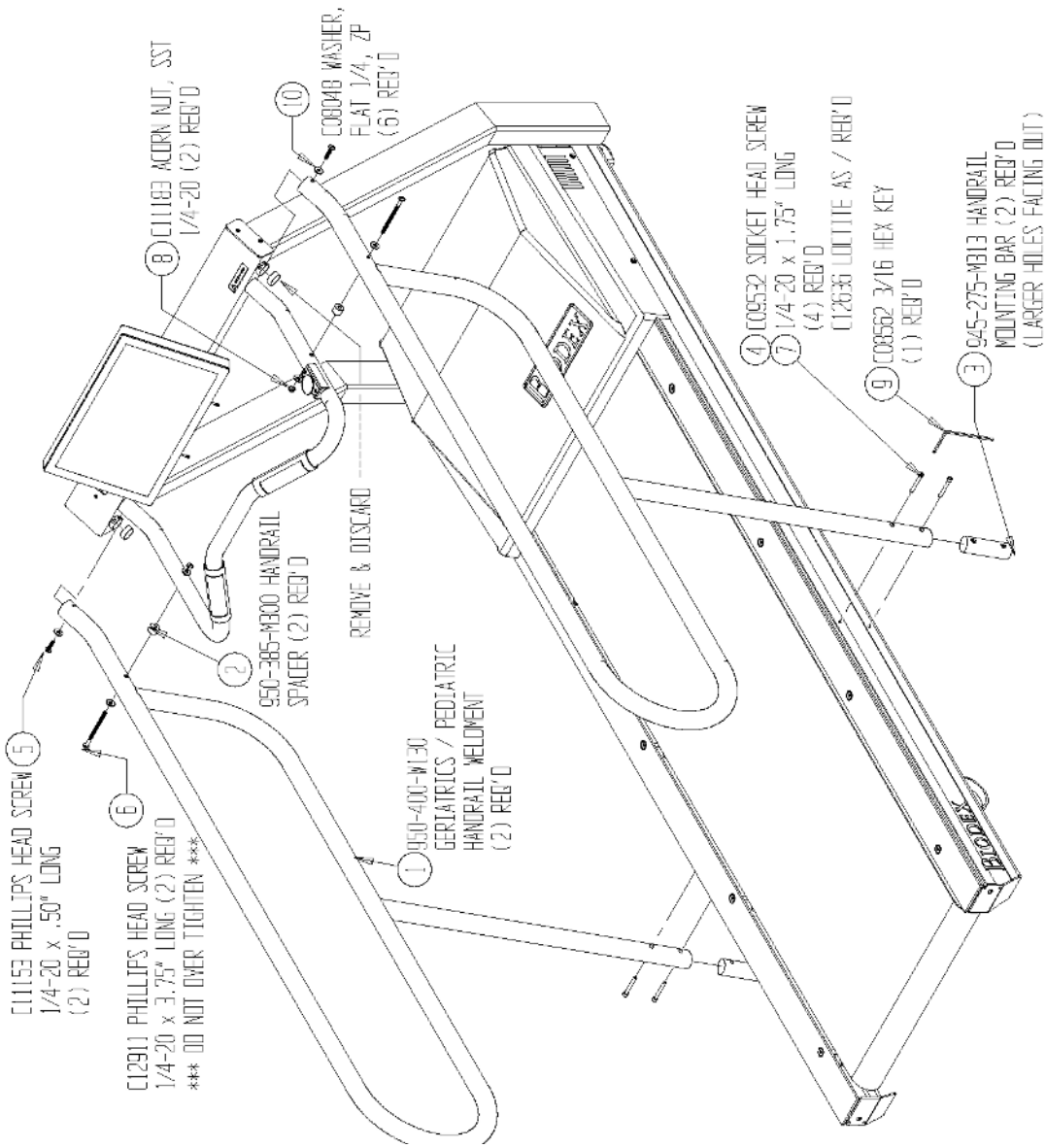
- The device packaging is disposed of through resource recycling.
- The metal parts of the machine go to scrap metal disposal.
- Plastic parts are disposed of as hazardous waste.



The disposal of equipment must be in accordance with the respective national regulations.

Wear parts are considered hazardous waste! After being replaced, wear parts must be disposed of according to country-specific waste laws.





BIODEX
 Biomedex Medical Systems, Inc.

20 Ramsey Road, Shirley, New York, 11967-4704, Tel: 800-224-6339 (Int'l 631-924-9000), Fax: 631-924-9241, Email: info@biomedex.com, www.biomedex.com

